

BATHROOM ACCESSORIES GW05 01 04 01 "GERUNDA SERIES" double hanger



Product description

Double hanger
Material: AISI 304 stainless steel
Finish: Brushed
Gerunda Series

Technical specifications:

"Gerunda Series" double hanger. The product consists of a wall mount, a wall plate covering the wall mount and a double hanger. The hanger consists of a cylinder made of AISI 304 stainless steel with a 19 mm diameter and a V-shaped cylinder made of AISI 304 stainless steel with an 8 mm diameter that perpendicularly crosses the central cylinder and that is attached to it by means of screws. The wall plate covering the wall mount, which is fastened to the central cylinder, is made of AISI 304 stainless steel and has a diameter of 50.5-mm and a thickness of 3-mm. The wall mount, made of steel, has two holes so it can be fixed to the wall by means of screws. The assembled set has a brushed finish that provides it an appropriate resistance against corrosion. The product is anchored to a brick wall by means of 2 nylon wall plugs and 2 screws. The overall dimensions of the product are 50.5 x 84.5 x 63 mm. The bathroom accessory model is GW05 01 04 01, manufactured by GENWEC WASHROOM S.L. - Av. Joan Carles I, 46-48 08908 L'Hospitalet de Llobregat.

Technical characteristics

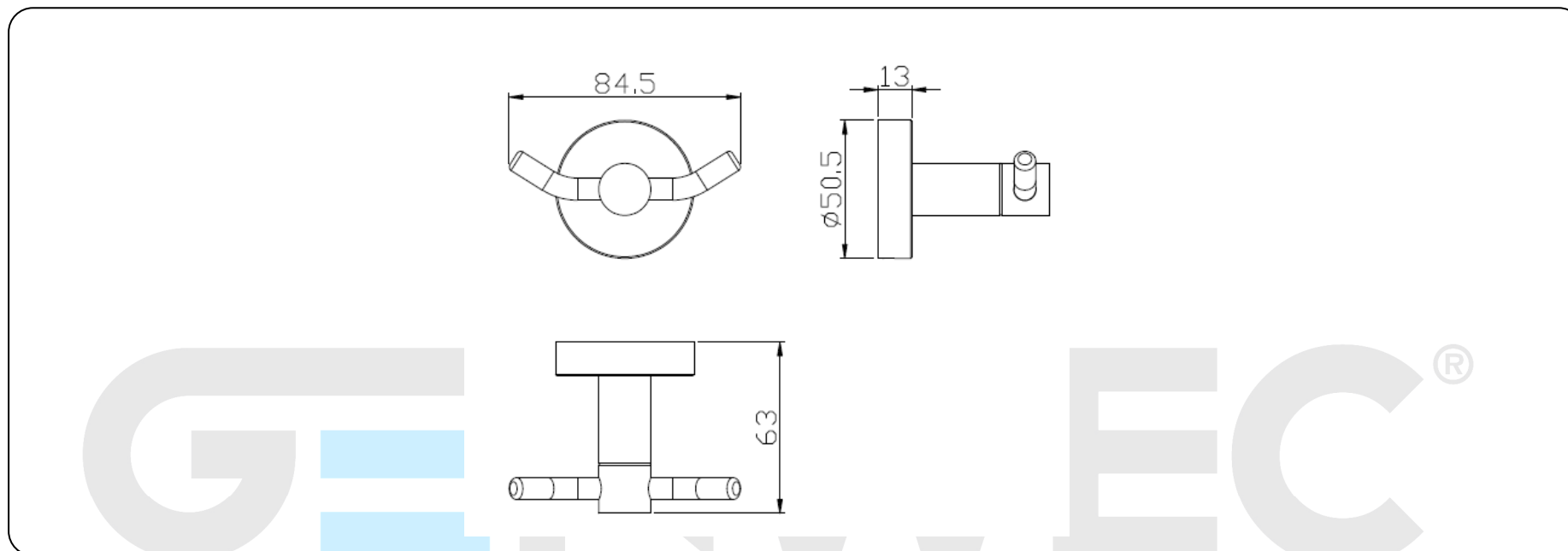
Product specifications

- Double hanger made of AISI 304 stainless steel with an 18 mm diameter
- AISI 304 stainless-steel wall plate with a 50.5-mm diameter
- The metal parts have a brushed finish that provides them an appropriate resistance against corrosion

Packaging specifications

- Type of individual package: Individual cardboard box and bubble wrap

BATHROOM ACCESSORIES **GW05 01 04 01 "GERUNDA SERIES" double hanger**



Cleaning: A cotton cloth slightly dampened in a soapy solution is recommended. Then dry off.