

PAPER DISPENSERS **GW03 20 01 04 ABS paper towel dispenser**



**Product description**

Grey ABS body  
Grey ABS cover  
Content viewer  
Safety lock  
Capacity: 450 C – type towel / 600 Z – type towel

---

**Technical specifications:**

The paper towel dispenser is made up of a cover and a support that are attachable to a wall. The cover is made in grey ABS thermoplastic and it includes a content viewer on the front in transparent ABS thermoplastic. The wall mount is made in ABS with a grey finish. The paper is replaced by inserting a key in the slot on the top of the dispenser and turning it 90° in order to lift the cover. It can contain C-folded or Z-folded paper towels. The product dimensions are 300x260x130 mm. It is fixed to the wall by means of 4 screws, with universal wall plugs for brick walls, located on the product's wall mount. The paper dispenser model is GW03.20.01.04, manufactured by GENWEC WASHROOM S.L. - Av. Joan Carles I, 46-48 - c.p: ES- 08908 L'Hospitalet de Llobregat, Barcelona (Spain). [www.genwec.com](http://www.genwec.com).

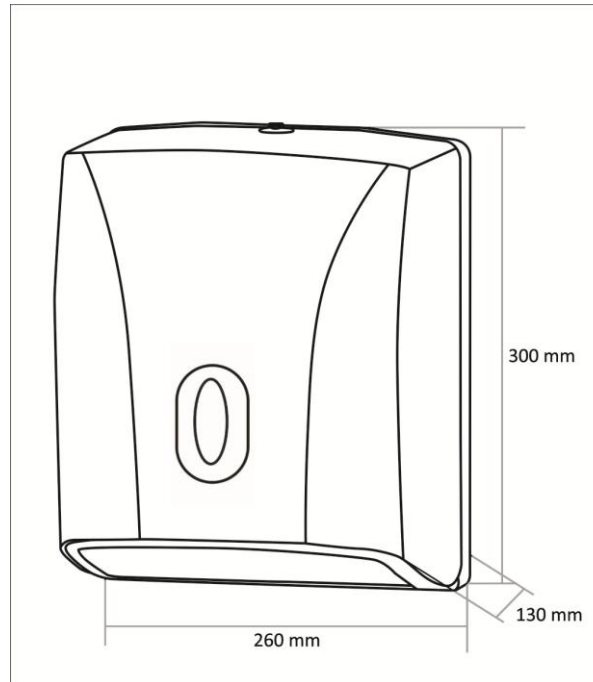
---

**Technical characteristics**

**Product specifications**

Type of material: ABS  
Finish: grey  
Safety lock  
Content viewer  
Dimensions: 300x260x130 mm.  
Capacity: 450 C – type towel / 600 Z – type towel

PAPER DISPENSERS **GW03 20 01 04 ABS paper towel dispenser**



**Cleaning:** A cotton cloth slightly dampened in a soapy solution is recommended. Then dry off. Do not use any strong chemicals or cleaning agents that can be dangerous to children.