

PAPER DISPENSERS **GW03 18 01 04 ABS two roll paper dispenser**



Product description

Grey ABS body
Grey ABS cover
Content viewer
Safety lock

Technical specifications:

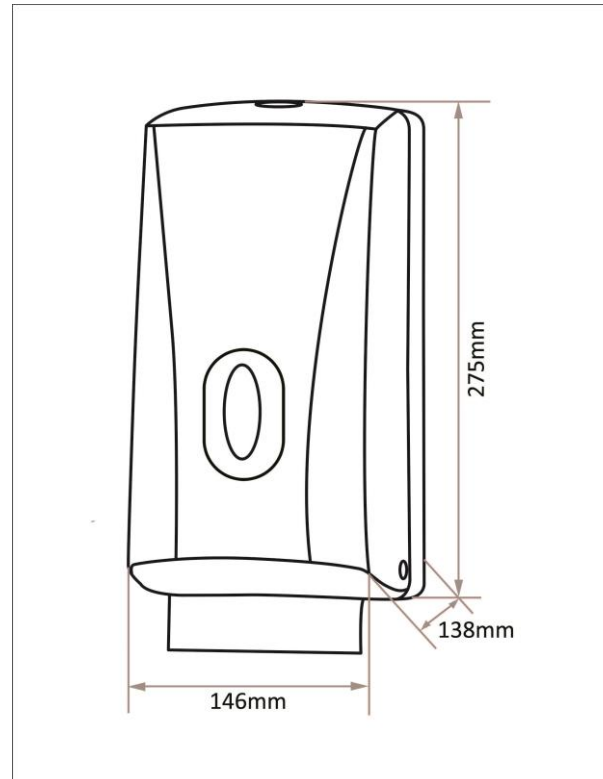
The paper towel dispenser is made up of a cover and a support that are attachable to a wall. The cover is made in grey ABS thermoplastic and it includes a content viewer on the front in transparent ABS thermoplastic. The wall mount is made in ABS with a grey finish. The paper is replaced by inserting a key in the slot on the top of the dispenser and turning it 90° in order to lift the cover. It can contain paper roll or Z-folded paper towels. It is fixed to the wall by means of 4 screws, with universal wall plugs for brick walls, located on the product's wall mount. The paper dispenser model is GW03.18.01.04, manufactured by GENWEC WASHROOM S.L. - Av. Joan Carles I, 46-48 - c.p: ES- 08908 L'Hospitalet de Llobregat, Barcelona (Spain). www.genwec.com.

Technical characteristics

Product specifications

Type of material: ABS
Finish: white
Safety lock
Content viewer
Paper roll size: Ø 120 x 110 mm
Z-folded paper size: 245 x 135 x 120 mm

PAPER DISPENSERS **GW03 18 01 04 ABS two roll paper dispenser**



Cleaning: A cotton cloth slightly dampened in a soapy solution is recommended. Then dry off. Do not use any strong chemicals or cleaning agents that can be dangerous to children.