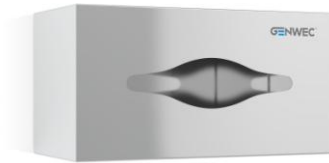


PAPER DISPENSERS **GW03 17 04 02 Tissue dispenser**



**Product description**

Surface mounted tissue dispenser  
Material: AISI 304 Stainless steel  
Finish: Polished

---

**Technical specifications:**

The tissue dispenser is made up of a cover and a wall mount made in AISI 304 stainless steel with a polished finish. The tissues are replaced opening the cover and adding the new ones. The tissue dispenser is fixed to the wall by means of 2 screws located on the wall mount. The dimensions of the dispenser are 283 x 140 x 65 mm. The tissue dispenser model is GW03 17 04 02, manufactured by GENWEC WASHROOM S.L. - Av. Joan Carles I, 46-48 - c.p: 08908 L'Hospitalet de Llobregat - Barcelona. [www.genwec.com](http://www.genwec.com).

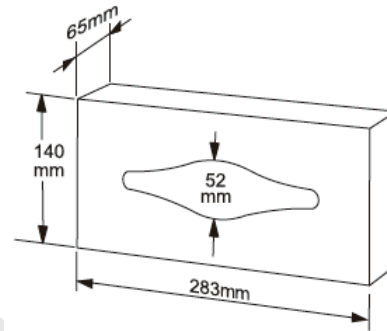
---

**Technical characteristics**

**Product specifications**

Tissue dispenser for surface mounted installation.  
Type of material: AISI 304 stainless steel  
Finish: Polished

PAPER DISPENSERS **GW03 17 04 02 Tissue dispenser**



**Cleaning:** A cotton cloth slightly dampened in a soapy solution is recommended. Then dry off. Do not use any strong chemicals or cleaning agents that can be dangerous to children.

GENWEC<sup>®</sup>  
WASHROOM EQUIPMENT & COMP.