

PAPER DISPENSERS **GW03 16 04 02 Tissue dispenser**



Product description

Built-in tissue dispenser
Material: AISI 304 Stainless steel
Finish: Polished

Technical specifications:

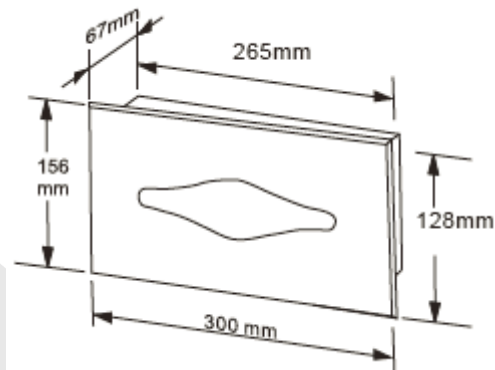
The tissue dispenser is made up of a cover and a wall mount made in AISI 304 stainless steel with a polished finish. The tissues are replaced opening the cover and adding the new ones. The tissue dispenser is fixed to the wall by means of 2 screws located on the wall mount. The dimensions of the dispenser are 300 x 156 x 67 mm, and its net weight is 0,78 kg. The tissue dispenser model is GW03 16 04 02, manufactured by GENWEC WASHROOM S.L. - Av. Joan Carles I, 46-48 - c.p: 08908 L'Hospitalet de Llobregat - Barcelona. www.genwec.com.

Technical characteristics

Product specifications

Tissue dispenser for built-in installation.
Type of material: AISI 304 stainless steel
Finish: Polished
Product net weight: 0,78 kg

PAPER DISPENSERS **GW03 16 04 02 Tissue dispenser**



Cleaning: A cotton cloth slightly dampened in a soapy solution is recommended. Then dry off. Do not use any strong chemicals or cleaning agents that can be dangerous to children.

WASHROOM EQUIPMENT & COMP.