

PAPER DISPENSERS **GW03 14 04 01 ¼ Folded toilet seat cover dispenser****Product description**

Material: AISI 304 Stainless steel
Finish: Brushed
Safety lock closure

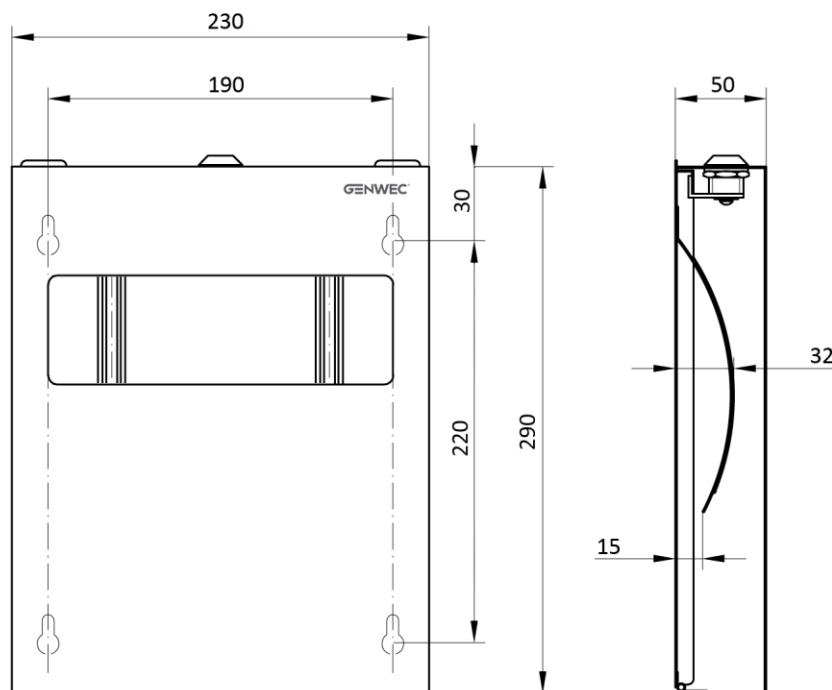
Technical specifications:

Wall mounted ¼ folded toilet seat cover dispenser made up of a cover and a wall mount in AISI 304 stainless steel with brushed finish. The cover incorporates in the front part a hole to pick up the paper. There are two levers inside for an easy extraction. The paper is replaced introducing the key on the lock of the top, opening the cover, turning it 90 degrees and adding the new ones. The type of paper is ¼ folded toilet seat cover. The paper dispenser is fixed to the wall by means of 4 screws located on the wall mount. The paper dispenser model is GW03 14 04 01, manufactured by GENWEC WASHROOM S.L. - Av. Joan Carles I, 46-48 - ES 08908 L'Hospitalet de Llobregat - Barcelona (Spain). www.genwec.com.

Technical characteristics**Product specifications**

- Wall mounted ¼ folded toilet seat cover dispenser
- Type of material: AISI 304 Stainless steel
- Finish: Brushed
- Type of paper: ¼ folded toilet seat cover
- Safety lock closure

PAPER DISPENSERS **GW03 14 04 01 ¼ Folded toilet seat cover dispenser**



Cleaning: A cotton cloth slightly dampened in a soapy solution is recommended. Then dry off. Do not use any strong chemicals or cleaning agents that can be dangerous to children.