

PAPER DISPENSERS **GW03 08 04 02 Hygienic paper dispenser**



Product description

Material: AISI 304 Stainless steel
Finish: Polished
Capacity: 1 hygienic roll

Technical specifications:

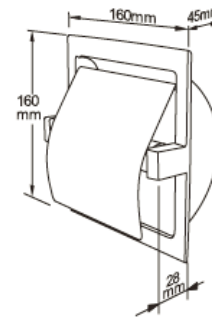
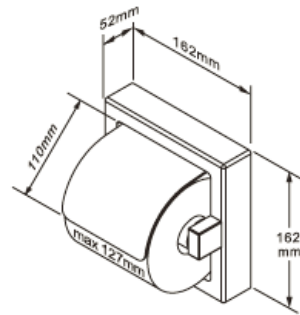
The single hygienic paper dispenser is made up of a wall mount, frame and cylindrical roll holder. The wall mount is made in 0.8 mm thick AISI 304 stainless steel with a polished finish. The frame is made in 0.8 mm thick AISI 304 stainless steel with a polished finish. The roll is replaced by applying pressure on the cylindrical roll holder, dismounting it and adding the new roll. The cylindrical roll holder is made in chrome thermoplastic. The type of paper used is a domestic roll. The paper dispenser is fixed to the wall by means of 2 screws located on the wall mount. The paper dispenser model is GW03 08 04 02, manufactured by GENWEC WASHROOM S.L. - Av. Joan Carles I, 46-48 - c.p: 08908 L'Hospitalet de Llobregat - Barcelona. www.genwec.com.

Technical characteristics

Product specifications

Type of material: AISI 304 stainless steel with a thickness of 0.8 mm
Finish: Polished
Capacity: 1 hygienic roll
Single paper roll dispenser for surface installation.
With the option of removing the frame for recessed installation (see next page)

PAPER DISPENSERS **GW03 08 04 02 Hygienic paper dispenser**



Recessed installation (without frame). Purchasing the article GW03.09.04.02 is recommended for this purpose.

Cleaning: A cotton cloth slightly dampened in a soapy solution is recommended. Then dry off. Do not use any strong chemicals or cleaning agents that can be dangerous to children.

GENWEC[®]
WASHROOM EQUIPMENT & COMP.