

PAPER DISPENSERS **GW03 08 04 01 Hygienic paper dispenser**



**Product description**

Material: AISI 304 Stainless steel  
Finish: Brushed  
Capacity: 1 hygienic roll

---

**Technical specifications:**

The single hygienic paper dispenser is made up of a wall mount, frame and cylindrical roll holder. The wall mount is made in 0.8 mm thick AISI 304 stainless steel with a polished finish. The frame is made in 0.8 mm thick AISI 304 stainless steel with a brushed finish. The roll is replaced by applying pressure on the cylindrical roll holder, dismounting it and adding the new roll. The cylindrical roll holder is made in chromed thermoplastic. The type of paper used is a domestic roll. The paper dispenser is fixed to the wall by means of 2 screws located on the wall mount. The paper dispenser model is GW03 08 04 01, manufactured by GENWEC WASHROOM S.L. - Av. Joan Carles I, 46-48 - ES 08908 L'Hospitalet de Llobregat - Barcelona (SPAIN). [www.genwec.com](http://www.genwec.com).

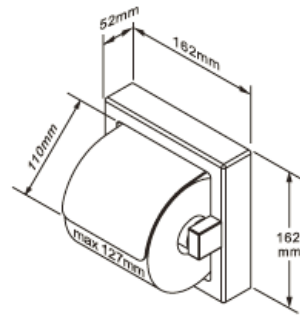
---

**Technical characteristics**

**Product specifications**

Type of material: AISI 304 stainless steel with a thickness of 0.8 mm  
Finish: Brushed  
Capacity: 1 hygienic roll  
Single paper roll dispenser for surface installation.

PAPER DISPENSERS **GW03 08 04 01 Hygienic paper dispenser**



**Cleaning:** A cotton cloth slightly dampened in a soapy solution is recommended. Then dry off. Do not use any strong chemicals or cleaning agents that can be dangerous to children.

