

Paper dispensers **GW03 05 03 00 Paper towel dispenser****Product description**

Material: Carbon steel
Finish: White epoxy
Capacity: 400/600 towels
Safety lock
Content viewer

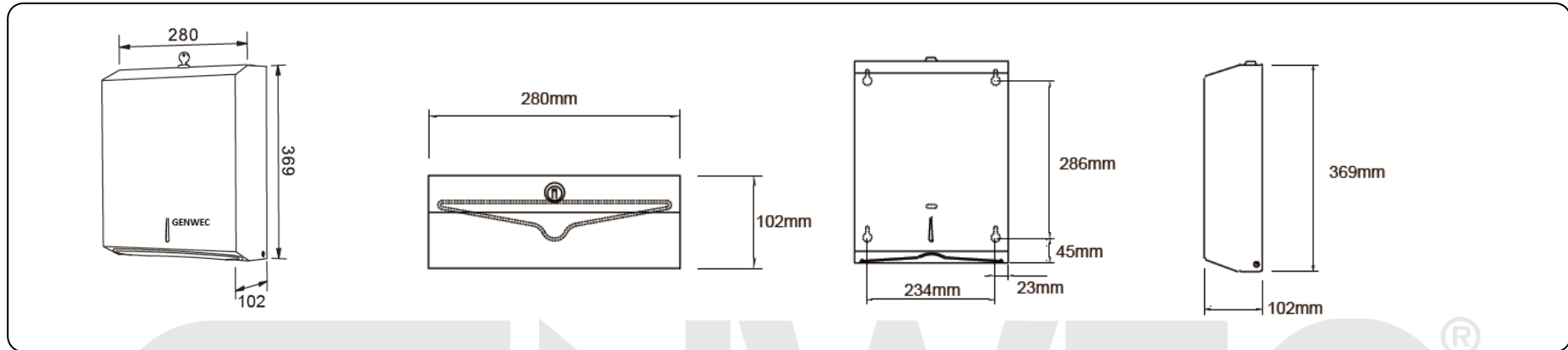
Technical specifications:

The dispenser of folded paper towels is made up of a cover and a support that are attachable to a wall. The cover, made in carbon steel with a white epoxy painted finish, includes a content viewer on the front. The wall mount is made in carbon steel with a white epoxy finish. The paper towels are replaced by inserting a key in the slot on the top of the dispenser and turning it 90° in order to lift the cover. The paper towels used are folded and type "C" or "Z". It is fixed to the wall by means of 4 screws, with universal wall plugs for brick walls, located on the product's wall mount. The paper towel dispenser model is GW03 05 03 00, manufactured by GENWEC WASHROOM S.L. - Av. Joan Carles I, 46-48 - c.p: 08908 L'Hospitalet de Llobregat - Barcelona. www.genwec.com.

Technical characteristics**Product specifications**

- Type of material: Carbon steel
- Finish: White epoxy
- Type of paper: folded paper towels type "C" or "Z"
- Capacity: 400/600 towels
- Safety lock
- Content viewer

Paper dispensers **GW03 05 03 00 Paper towel dispenser**



Cleaning: A cotton cloth slightly dampened in a soapy solution is recommended. Then dry off. Do not use any strong chemicals or cleaning agents that can be dangerous to children.