

Paper dispensers **GW03 04 03 00 Paper towel dispenser****Product description**

Material: Carbon steel  
Finish: White epoxy  
Capacity: 250/300 towels  
Safety lock  
Content viewer

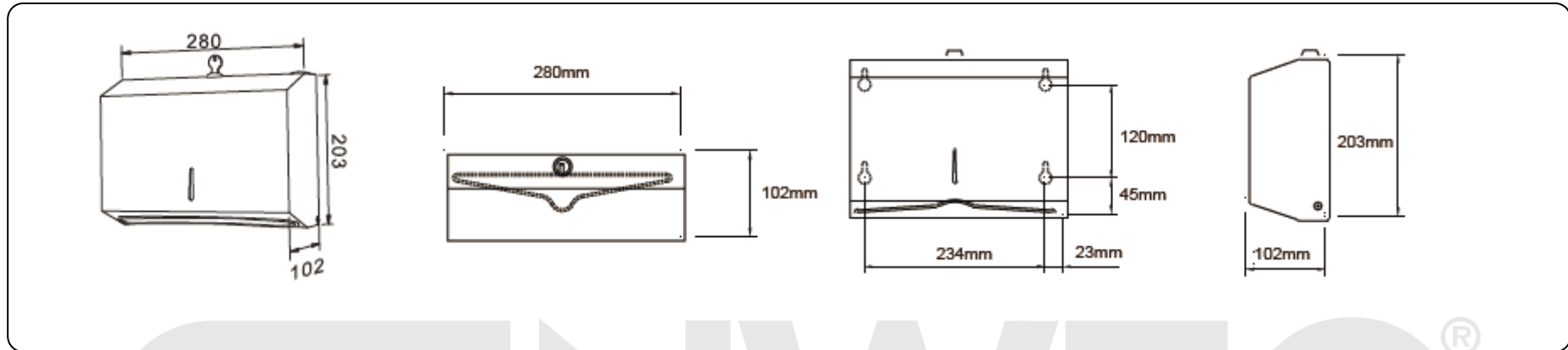
**Technical specifications:**

The dispenser of folded paper towels is made up of a cover and a support that are attachable to a wall. The cover, made in carbon steel with a white epoxy painted finish, includes a content viewer on the front. The wall mount is made in carbon steel with a white epoxy finish. The paper towels are replaced by inserting a key in the slot on the top of the dispenser and turning it 90° in order to lift the cover. The paper towels used are folded and type "C" or "Z". It is fixed to the wall by means of 4 screws, with universal wall plugs for brick walls, located on the product's wall mount. The paper towel dispenser model is GW03 04 03 00, manufactured by GENWEC WASHROOM S.L. - Av. Joan Carles I, 46-48 - c.p: 08908 L'Hospitalet de Llobregat - Barcelona. [www.genwec.com](http://www.genwec.com).

**Technical characteristics****Product specifications**

- Type of material: Carbon steel
- Finish: White epoxy
- Type of paper: folded paper towels type "C" or "Z"
- Capacity: 250/300 towels
- Safety lock
- Content viewer

Paper dispensers **GW03 04 03 00 Paper towel dispenser**



**Cleaning:** A cotton cloth slightly dampened in a soapy solution is recommended. Then dry off. Do not use any strong chemicals or cleaning agents that can be dangerous to children.

**GENWEC**<sup>®</sup>  
WASHROOM EQUIPMENT & COMP.