

## GW03 02 Jumbo roll paper dispenser



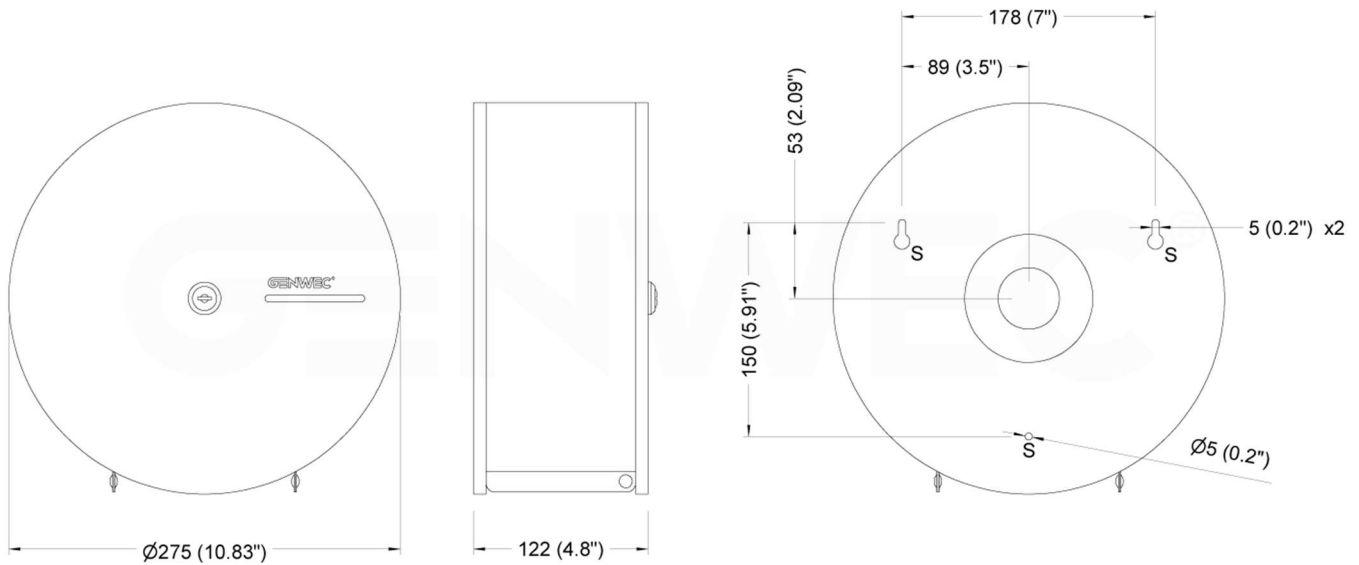
GW03 02 04 01  
AISI 304 Brushed



GW03 02 04 02  
AISI 304 Bright



GW03 02 04 03  
AISI 304 Matt Black



Dimensions:  $\pm 3\%$

### TECHNICAL DATASHEET

#### COMPONENTS AND MATERIALS

- Mounting base – 1.2mm AISI 304 stainless steel,  $\varnothing 275$ mm. Smooth edges for safety use.
- Lid – One piece, 0.8mm AISI 304 stainless steel, fully sealed. Horizontal slot reveals content level inside dispenser. Supplied with a central lock to prevent vandalism. Smooth edges for safety use.
- Shaft – One piece, 1.0mm AISI 304 stainless steel,  $\varnothing 38$ mm. Equipped with two rubber-o-rings as anti-spin retainers.
- Fixings set – Two keys for lid opening (one as spare), three  $\varnothing 6$ mm wall plugs, three  $\varnothing 4$ mm screws.

#### OPERATION

Door unlocks with one of two keys supplied with the unit and swings vertically for loading dispenser. Central shaft accommodates one toilet roll up to  $\varnothing 260$ mm and with a minimum  $\varnothing 40$ mm core. Rubber-o-rings are placed in each side of core to prevent roll spin. Horizontal slot reveals the paper level for easy control.

#### MOUNTING

Use technical design provided in technical sheet. Drill three  $\varnothing 6$ mm holes to suit provided wall plugs (6mm) and screws (4mm) at S points indicated in technical design. Recommended mounting height is 650mm from floor to unit centre.

### ARCHITECTURAL SPECIFICATION

Genwec Jumbo roll paper dispenser shall be 0.8mm AISI 304 stainless steel. Edges shall be smooth for user safety. Front lid shall be equipped with a central lock to prevent vandalism and a horizontal slot to control paper level. Shaft shall be AISI 304 stainless steel and equipped with two rubber-o-rings to avoid paper roll spin. Shaft shall be able to accommodate a  $\varnothing 260$ mm jumbo roll and with a minimum  $\varnothing 40$ mm core.

### SPARE PARTS

GW03 02 90 00	Lock key set
GW03 02 90 01	Screwing set
GW03 02 90 02	Rubber roll fix for