

INSTALLATION, OPERATION & MAINTENANCE MANUAL

Inverted Bucket steam trap

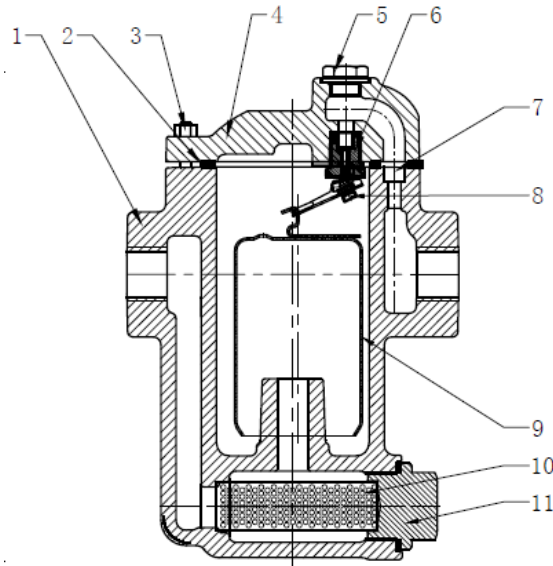


Ref. GENE BRE: 2288 – 2288N – 2289 – 2289N

INSTRUCTIONS FOR INSTALLATION, OPERATION & MAINTENANCE MANUAL

1. Spare Parts	3
1.1 Parts List	3
2. Transport and Storage conditions	4
3. Installation Instructions	4
3.1 Preparation	4
3.2 Installation	5
4. Maintenance Instructions	5
5. Repair Instructions	6
6. Safety Instructions	8

1) Spare Parts.



1.1) Parts List

Nº	Name	Material
1	Body	Ductile Iron GGG.40
2	Gasket	S.S. 304 + Graphite
3	Bolts	A193 B7
4	Cover	Ductile Iron GGG.40
5	Bolt	A105
6	Seat	Stainless steel
7	Bushing	A105
8	Valve	Stainless steel
9	Bucket	Stainless steel
10	Screen	Stainless steel
11	Cover	A105

Genebre, S.A. offers a wide range of products designed and assembled to handle and drive fluids in industrial procedures.

The application of these products to the different industrial processes is at user's risk. The product will have an optimal behaviour when working conditions do not exceed pressure and

temperature limits for which they have been designed. Please, refer to the product data sheet.

2. Transport and Storage conditions



Transport and storage of this type of products must be done in their original package

VISUAL INSPECTION

Check whether during transport, unloading and placement products have suffered any damage.



If you notice any kind of anomaly during reception of the goods, contact immediately with GENE BRE in order to determine the possible responsibilities on the issue.

In case that the product is not installed immediately, keep it with protective packaging to prevent strokes or accumulation of dirt (it should not be removed until the product is going to be installed). As far as possible, the strainer should be stored in a dry and clean area

IMPORTANT NOTE:

Before installing and/or manipulating these elements READ CAREFULLY the enclosed instructions for use and OBSERVE all contained information. If any of the contents is not clear enough, please contact GENE BRE, S.A.



User is responsible for the safe use of these products, as established in present instructions for use and in the specific technical documentation of the supplied device.

3) Installation Instructions

3.1) Preparation

Remove any remaining packing materials from the strainer.

There may be serious problems with any accessory installed in a dirty pipe.

Make sure the pipe is free of dirt, welding particles, etc. before installations because the accessory could get irreparable damage when starting-up → prepare a *clean working area*. Provide enough space for future maintenance.

3.2) Installation

Make sure the product's pipe and thread end are clean and are compatible one with another (type of thread end) Apply an appropriate sealing in the pipes' thread ends and thread the product being careful not to excessively tighten the conical threaded ends (NPT).

To tighten the product, it is recommended to use a monkey wrench only on the body area of the steam trap, the force applied being less than 30 Nm.

IMPORTANT:

Pay particular attention to the flow direction of the steam trap marked by an arrow in the body. The installation must be in horizontal position.



4) Maintenance instructions



It is responsibility of the user to establish a plan of inspection and maintenance of these apparatuses with the purpose of guaranteeing its safe use.

The inspections must be made only by qualified personnel, in accordance with the type of equipment and installation required.

Frequency, location and process of maintenance will be determined by the user by taking into account usage of the product.



Before disassembling the pipe's steam trap to repair or replace it, make sure that line has been closed and depressurized because a bad operational procedure could cause a serious accident to you or to the installation system

Prepare a clean working area and appropriate tooling for mechanical tasks.

Strainer's *mesh* must be extracted and cleaned when clogging becomes apparent.

4.1) Mesh Cleaning Instructions

Disassembly

Loosen and remove the discharge plug (part.11), remove the mesh (part.10) from inside of body (part.1).

Clean the mesh with compressed air or another method.

If they were damaged or in case of doubt, they will need to be replaced the mesh.

Clean inside the body.

Assembly

Insert the mesh (part.10) inside of the body (part.1), insert the plug (part.11) and tighten.

5) Repair Instructions.

5.1) Main Valve:

Disassembly:

- a. Loosen and remove the bolts (part.3).
- b. Remove the cap (part.4) and the gasket (part.2).
- c. Remove the ball and lever (part.8).
- d. Clean the all componets with compressed air or another method.

Assembly:

- a. Place the new ball and lever (part.8).
- b. Place new gasket (part.2).
- c. Place the cover (part.4).
- d. Place the bolts (part.3) to assembly on the body (part.1).
- e. Then, tighten the bolts (part.3) adjusting slowly and alternating diagonally.

5.2) Seat :

Disassembly:

- a. Loosen and remove the bolts (part.3).
- b. Remove the cap (part.2) and the gasket (part.10).
- c. Remove seat (part.6).
- d. Clean the all componets with compressed air or another method.

Assembly:

- a. Place the new sea (part.6).
- b. Place new gasket (part.2).
- c. Place the cover (part.4).

- d. Place the bolts (part.3) to assembly on the body (part.1).
- e. Then, tighten the bolts (part.3) adjusting slowly and alternating diagonally.

6) Safety Instructions

6.1) The fluids pass through a valve or accessory can be corrosive, toxic, flammable or pollutant. They can also be found at very high or low temperature. When handling valves or accessory shall be taken necessary security measures and it is advisable to use personal protective equipment:

- 1) Wear eye protection.
- 2) Wear gloves and appropriate work clothes.
- 3) Wear safety shoes.
- 4) Wear a helmet.
- 5) Note the availability of running water.
- 6) For flammable fluids, make sure you have a fire extinguisher.

6.2) Before removing a valve or accessory from a pipe, always check that the line is completely cold, drained and depressurized.

6.3) Any valve or accessory that was used in toxic services must have a cleaning certificate before handling.

6.4) Any type of repair or maintenance should be performed in ventilated places.